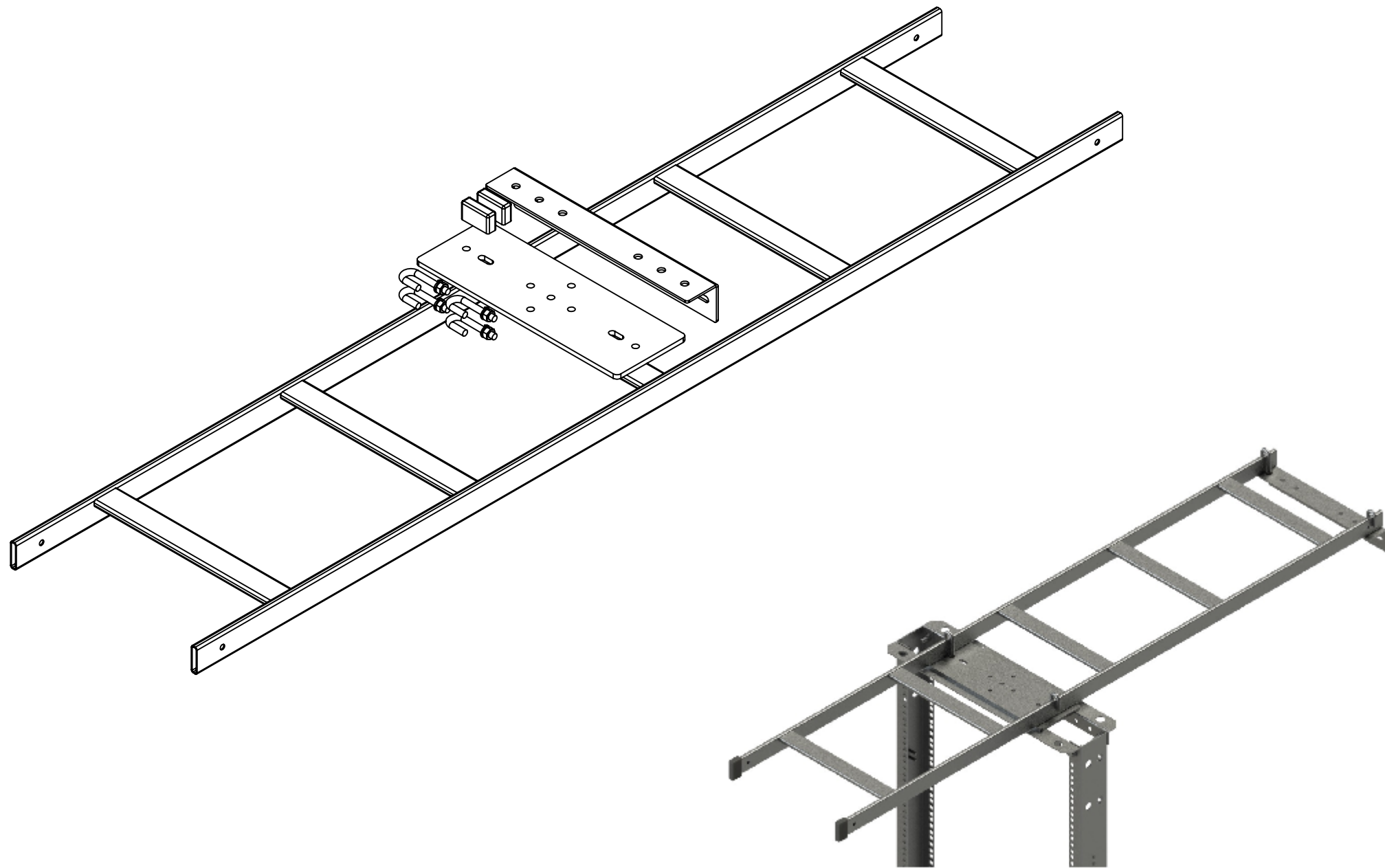
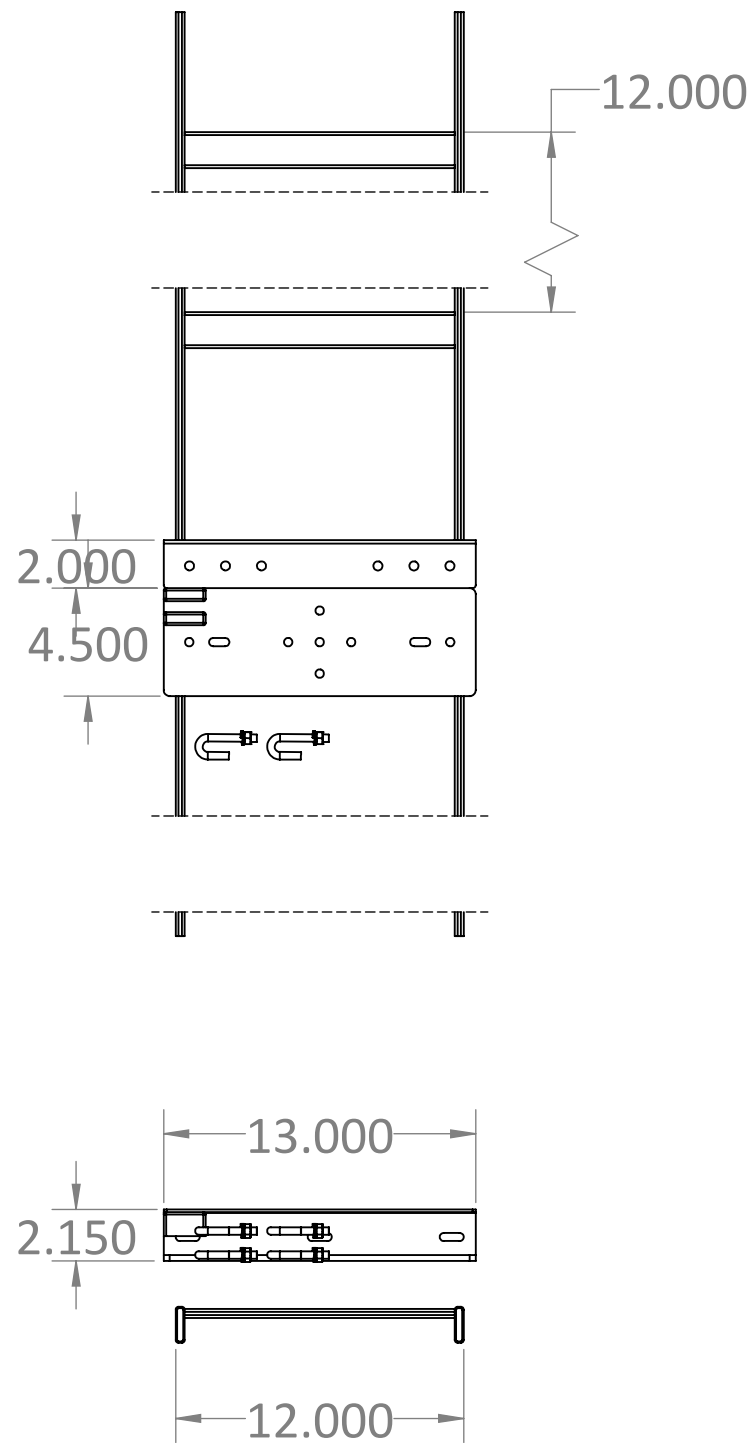


8 7 6 5 4 3 2 1

F  
E  
D  
C  
B  
A

F  
E  
D  
C  
B  
A



**PROPRIETARY AND CONFIDENTIAL:**  
THE INFORMATION CONTAINED IN THIS DRAWING IS THE SOLE PROPERTY OF RXL. ANY REPRODUCTION IN PART OR AS A WHOLE WITHOUT THE WRITTEN PERMISSION OF RXL IS PROHIBITED.

SERIES/FAMILY NUMBER:  
**RXL-1089**

DESCRIPTION:  
**12in. W Wall to Rack Kit**

REVISION	DATE	REVISION DESCRIPTION:
<b>A</b>		

CONFIGURATION (SEE TABLE DETAILS/"X" DENOTES COLOR):  
**X12**

COMMENTS/FOLDER PATH:  
B:\RXL Inc\RXL Engineering - General\RXL\Section 1 - Cable Pathways\RXL-1089 Wall to Rack Kit\

**UNLESS OTHERWISE SPECIFIED:**  
DIMENSIONS ARE IN INCHES  
TOLERANCES: ±0.03  
FRACTIONAL: ±1/32  
ANGULAR: ±1°  
TWO PLACE DECIMAL ±0.03  
THREE PLACE DECIMAL ±0.030

MATERIAL:	
FINISH: <b>NONE</b>	
WEIGHT:	SURFACE AREA:

FULL PART NUMBER: <b>RXL-1089-X12</b>
DRAWN BY: Jackson Chong
DRAWN DATE: 9/23/2020
DO NOT SCALE DRAWING Scale: 1:4
DRAWING SIZE: <b>B</b> SHEET 1 OF 1

8 7 6 5 4 3 2 1