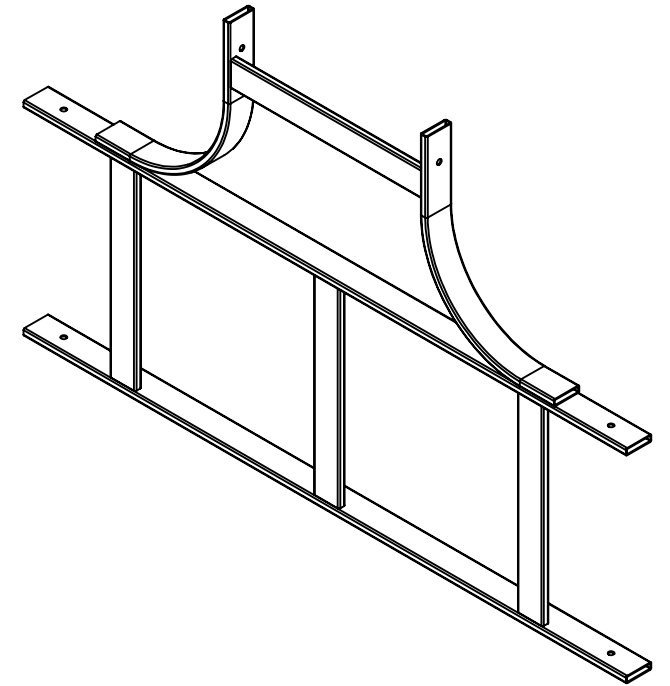
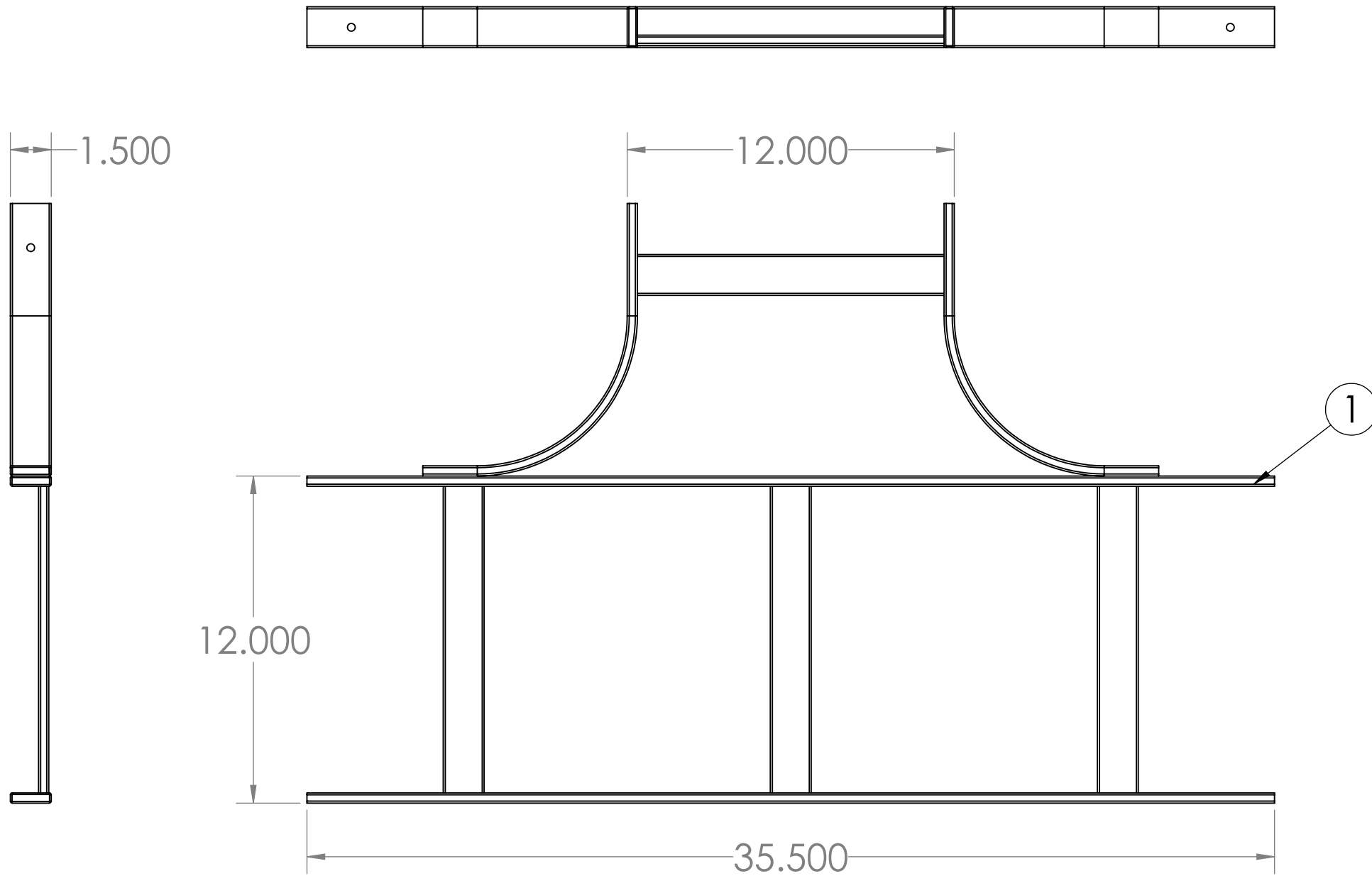


ITEM #	PART NUMBER	CONFIGURATION	DESCRIPTION	MATERIAL	QTY	REVISIONS				
						ZONE	REV.	DESCRIPTION	DATE	APPROVED
1	WD-1061-01	X12	Global Runway Tee Section Weldment		1		A	Initial	1/13/2020	



UNLESS OTHERWISE SPECIFIED:
 DIMENSIONS ARE IN INCHES
 TOLERANCES: ±0.03
 FRACTIONAL: ±1/32
 ANGULAR: ±1°
 TWO PLACE DECIMAL ±0.03
 THREE PLACE DECIMAL ±0.010

MATERIAL:

FINISH: PAINT

WEIGHT:

	NAME	DATE
DRAWN	Jackson Chong	1/13/2020
PART APPROVAL		
COMMENTS:	C:\Users\jackson.chong\RXL Inc\RXL Engineering - General\RXL\Section 1 - Cable Pathways\RXL-1061 Global Runway Tee Section\	
	SIZE	REV
	B	A
DO NOT SCALE DRAWING	SCALE: 1:4	SHEET 1 OF 1



PART NUMBER:
RXL-1061

CONFIGURATION (SEE TABLE DETAILS):
X12

DESCRIPTION:
RXL-1061 Global Runway Tee Section

PROPRIETARY AND CONFIDENTIAL
 THE INFORMATION CONTAINED IN THIS DRAWING IS THE SOLE PROPERTY OF RXL. ANY REPRODUCTION IN PART OR AS A WHOLE WITHOUT THE WRITTEN PERMISSION OF RXL IS PROHIBITED.