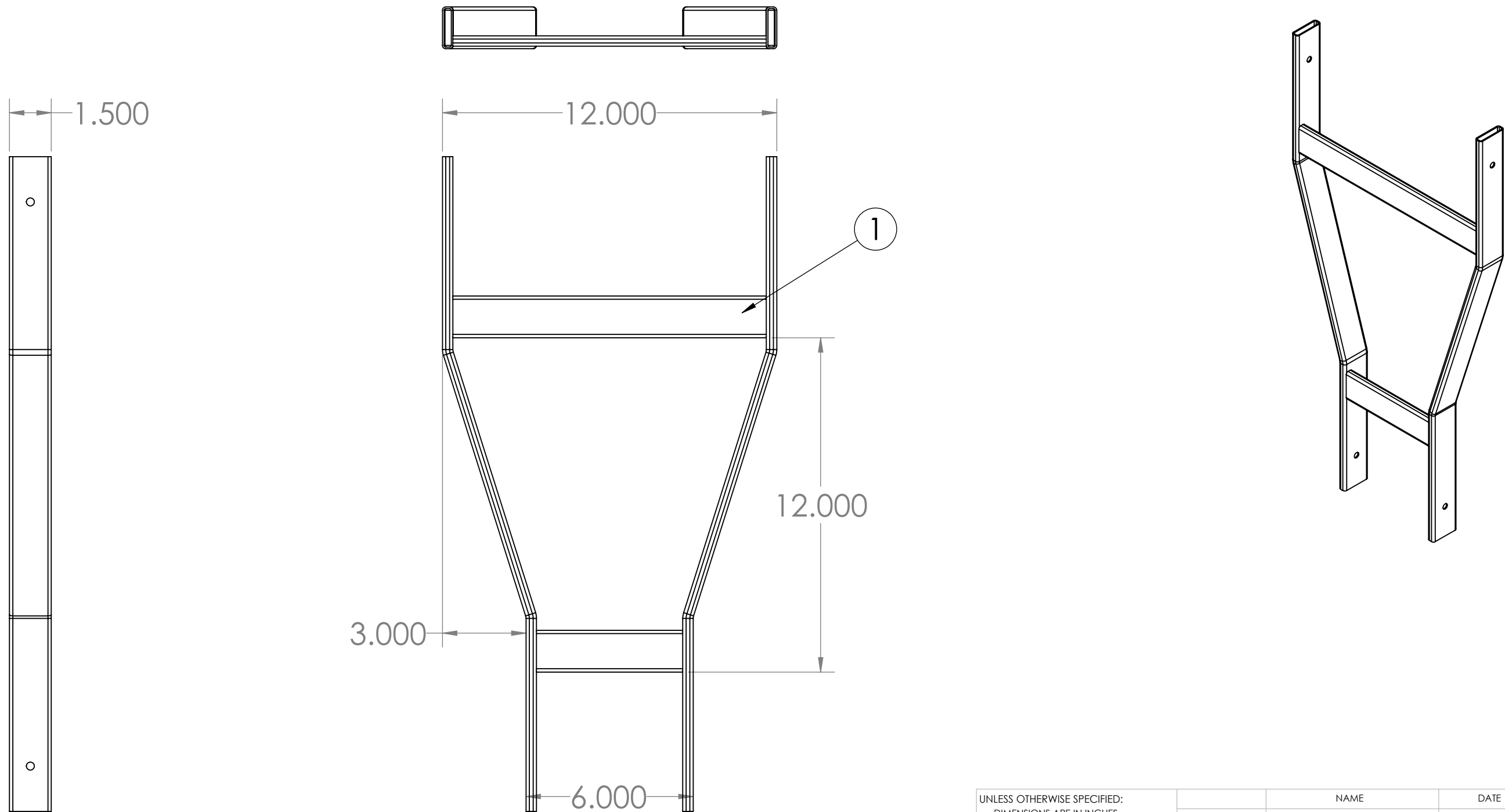


ITEM NO.	PART NUMBER	CONFIGURATION	DESCRIPTION	MATERIAL	MANUFACTURER	QTY.	REVISIONS				
							ZONE	REV.	DESCRIPTION	DATE	APPROVED
1	WD-1055-01	X06	Center Reducer Weldment			1		A	Initial	1/23/2020	



UNLESS OTHERWISE SPECIFIED: DIMENSIONS ARE IN INCHES TOLERANCES: ±0.03 FRACTIONAL: ±1/32 ANGULAR: ±1° TWO PLACE DECIMAL ±0.03 THREE PLACE DECIMAL ±0.010	DRAWN	NAME	DATE
	PART APPROVAL	Jackson Chong	1/23/2020
	COMMENTS: C:\Users\jackson.chong\RXL Inc\RXL Engineering - General\RXL\Section 1 - Cable Pathways\RXL-1055 Global Cable Runway Center Reducer\		
	DO NOT SCALE DRAWING	SCALE: 1:4	SHEET 1 OF 1
MATERIAL:		SIZE	REV
FINISH: PAINT		B	A
WEIGHT:			



PART NUMBER: **RXL-1055**
 CONFIGURATION (SEE TABLE DETAILS): **X06**

DESCRIPTION: **RXL-1055 Global Cable Runway Center Reducer**

PROPRIETARY AND CONFIDENTIAL
 THE INFORMATION CONTAINED IN THIS DRAWING IS THE SOLE PROPERTY OF RXL. ANY REPRODUCTION IN PART OR AS A WHOLE WITHOUT THE WRITTEN PERMISSION OF RXL IS PROHIBITED.