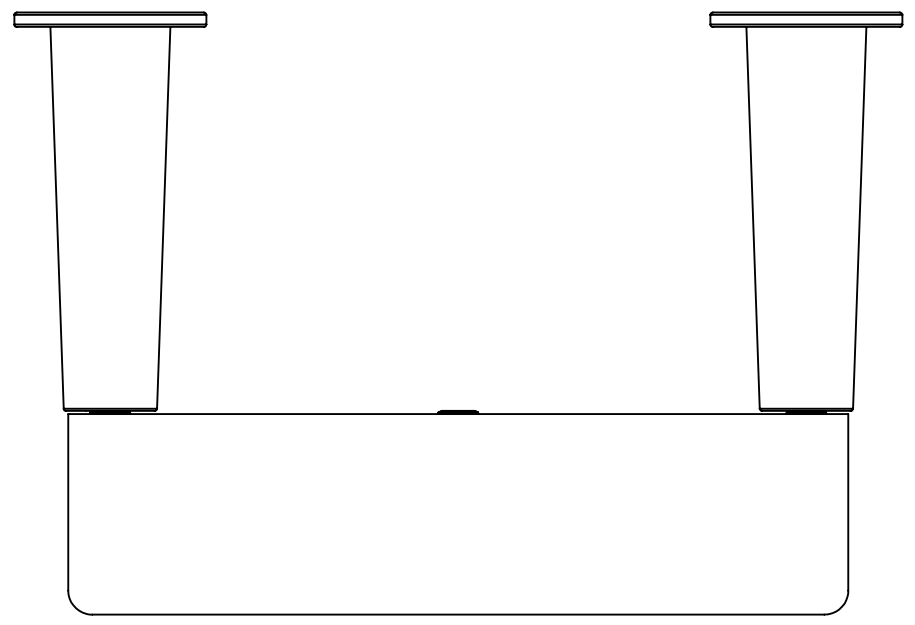
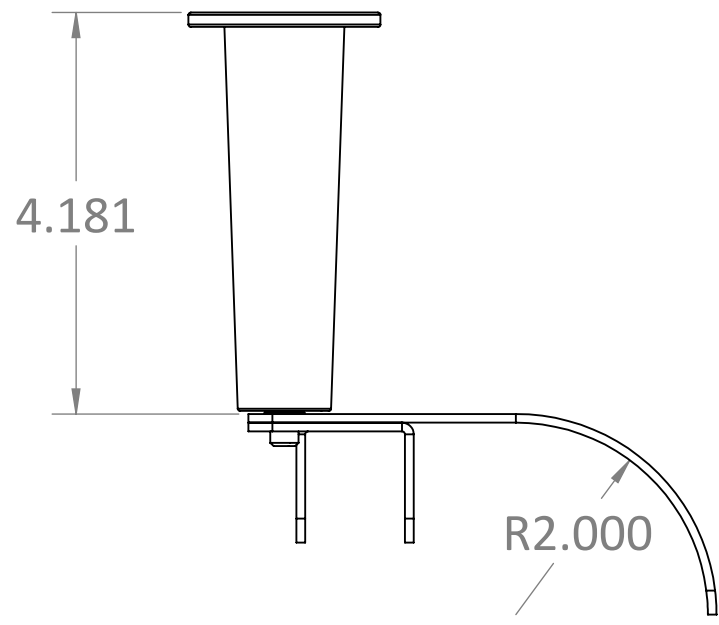
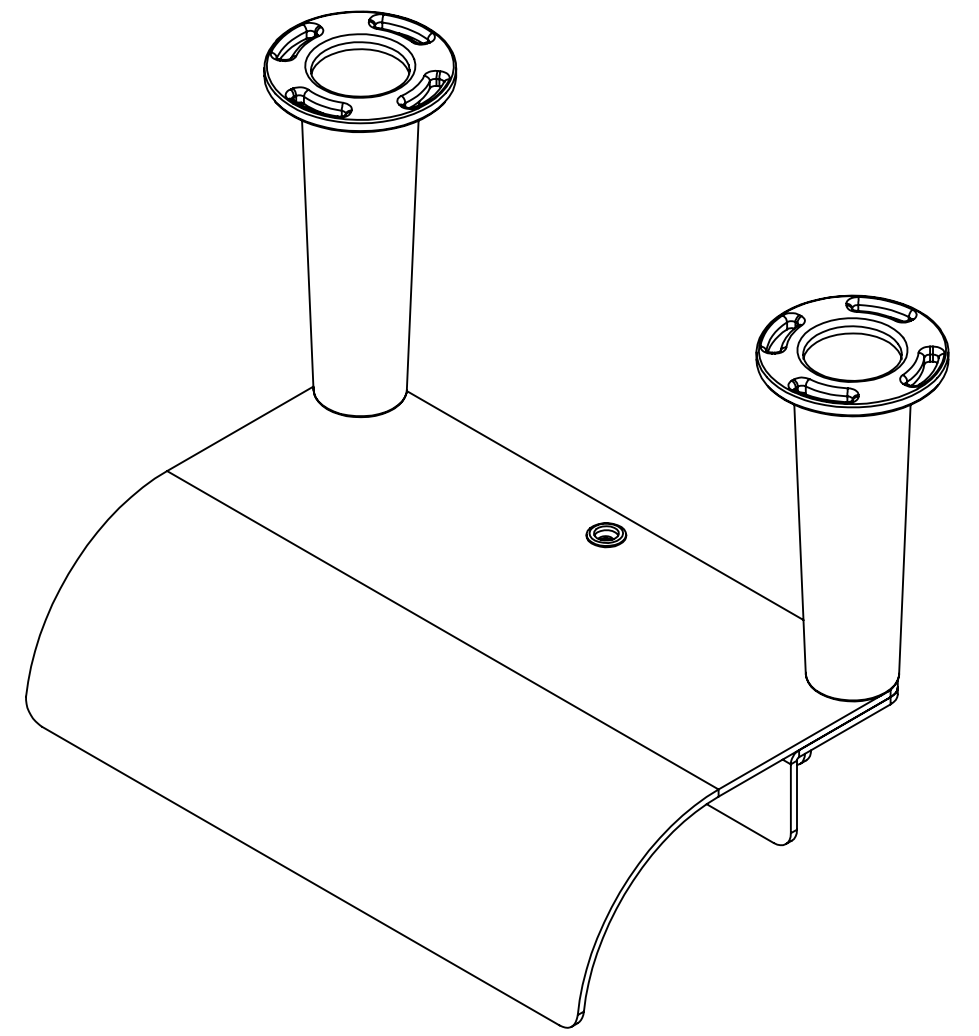
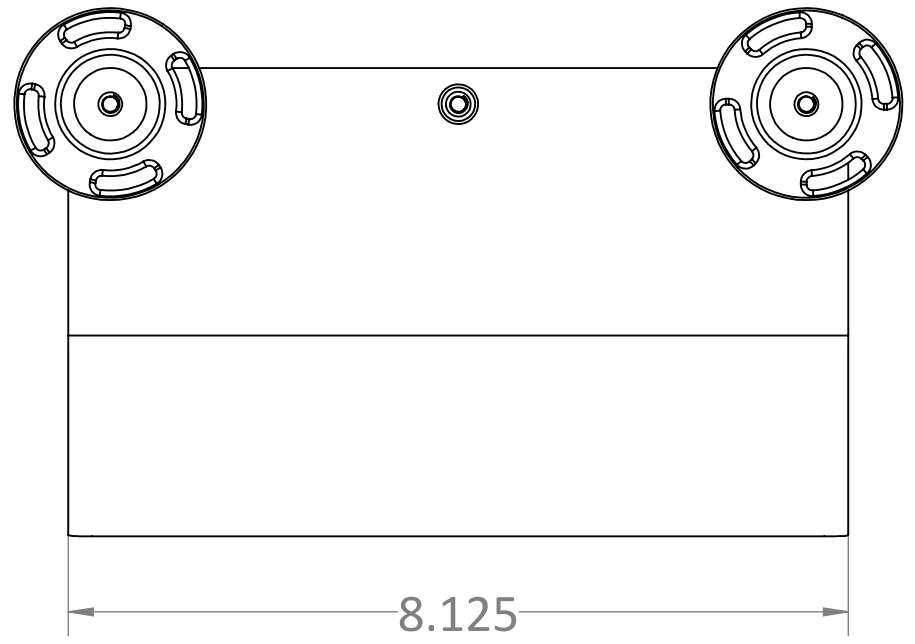


ITEM #	PART NUMBER	CONFIGURATION	DESCRIPTION	MATERIAL	QTY
1	AS-1022-01	X09	TELCO Cross Memeber Radius Drop PEM Assembly		1
2	52-8502		Cable Runway Spool Divider, 1.5" Plastic	PURCHASE PART	2

REVISIONS				
ZONE	REV.	DESCRIPTION	DATE	APPROVED
	A	Initial	8/5/2020	



UNLESS OTHERWISE SPECIFIED:  
 DIMENSIONS ARE IN INCHES  
 TOLERANCES: ±0.03  
 FRACTIONAL: ±1/32  
 ANGULAR: ±1°  
 TWO PLACE DECIMAL ±0.03  
 THREE PLACE DECIMAL ±0.010

MATERIAL:  
 FINISH:  
 PAINT  
 WEIGHT:

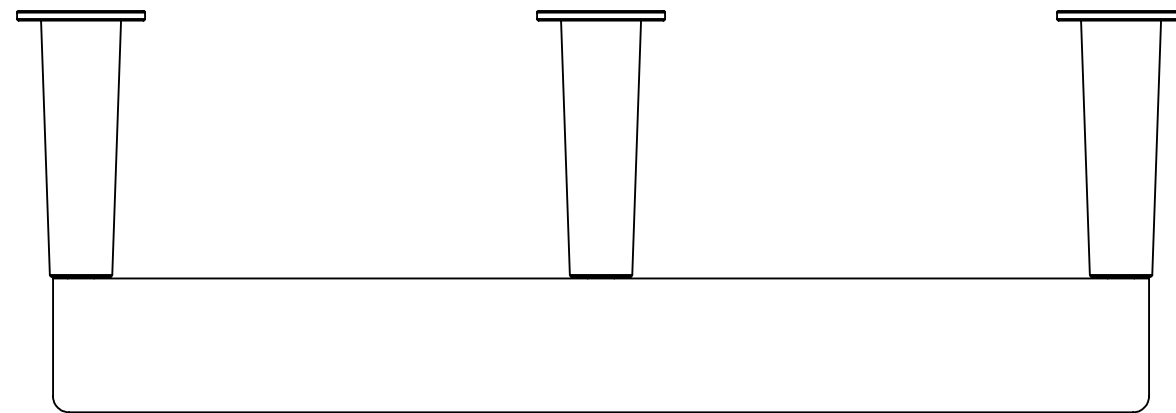
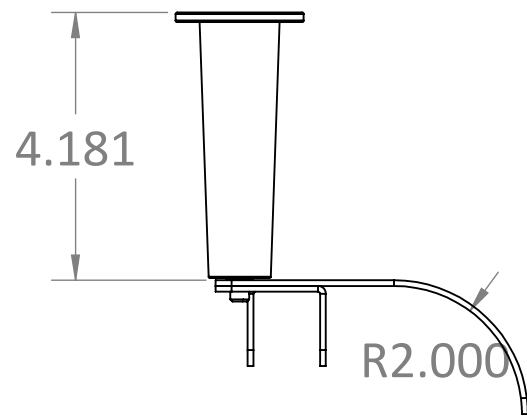
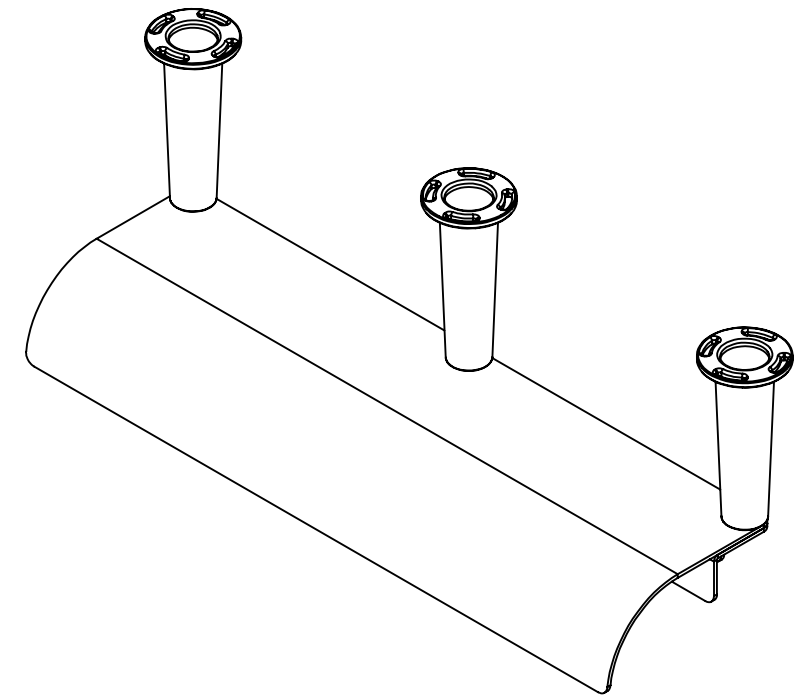
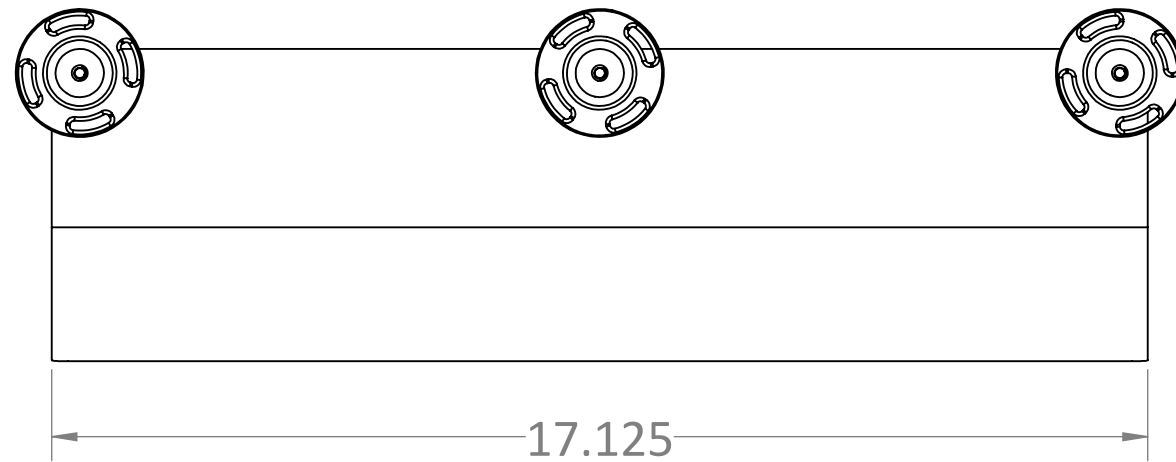
DRAWN	NAME	DATE
Jackson Chong	Jackson Chong	8/5/2020
PART APPROVAL		
COMMENTS: C:\Users\jackson.chong\RXL Inc\RXL Engineering - General\RXL\Section 1 - Cable Pathways\RXL-1022 TELCO Cross Memeber Radius Drop\		
DO NOT SCALE DRAWING	SCALE: 1:4	SHEET 1 OF 2



PART NUMBER: <b>RXL-1022</b>	CONFIGURATION (SEE TABLE DETAILS): X09
DESCRIPTION: <b>RXL-1022 TELCO Cross Memeber Radius Drop</b>	

**PROPRIETARY AND CONFIDENTIAL**  
 THE INFORMATION CONTAINED IN THIS DRAWING IS THE SOLE PROPERTY OF RXL. ANY REPRODUCTION IN PART OR AS A WHOLE WITHOUT THE WRITTEN PERMISSION OF RXL IS PROHIBITED.

ITEM #	PART NUMBER	CONFIGURATION	DESCRIPTION	MATERIAL	QTY	REVISIONS				
						ZONE	REV.	DESCRIPTION	DATE	APPROVED
1	AS-1022-01	X18	TELCO Cross Memeber Radius Drop PEM Assembly		1					
2	52-8502		Cable Runway Spool Divider, 1.5" Plastic	PURCHASE PART	3		A	Initial	8/5/2020	



UNLESS OTHERWISE SPECIFIED: DIMENSIONS ARE IN INCHES TOLERANCES: ±0.03 FRACTIONAL: ±1/32 ANGULAR: ±1° TWO PLACE DECIMAL ±0.03 THREE PLACE DECIMAL ±0.010	DRAWN	NAME	DATE
	PART APPROVAL	Jackson Chong	8/5/2020
	COMMENTS:		
	C:\Users\jackson.chong\RXL Inc\RXL Engineering - General\RXL\Section 1 - Cable Pathways\RXL-1022 TELCO Cross Memeber Radius Drop\		
	DO NOT SCALE DRAWING	SCALE: 1:4	SHEET 2 OF 2



PART NUMBER:  
**RXL-1022**

CONFIGURATION (SEE TABLE DETAILS):  
**X18**

DESCRIPTION:  
**RXL-1022 TELCO Cross Memeber Radius Drop**

**PROPRIETARY AND CONFIDENTIAL**  
 THE INFORMATION CONTAINED IN THIS DRAWING IS THE SOLE PROPERTY OF RXL. ANY REPRODUCTION IN PART OR AS A WHOLE WITHOUT THE WRITTEN PERMISSION OF RXL IS PROHIBITED.

SIZE **B** REV **A**